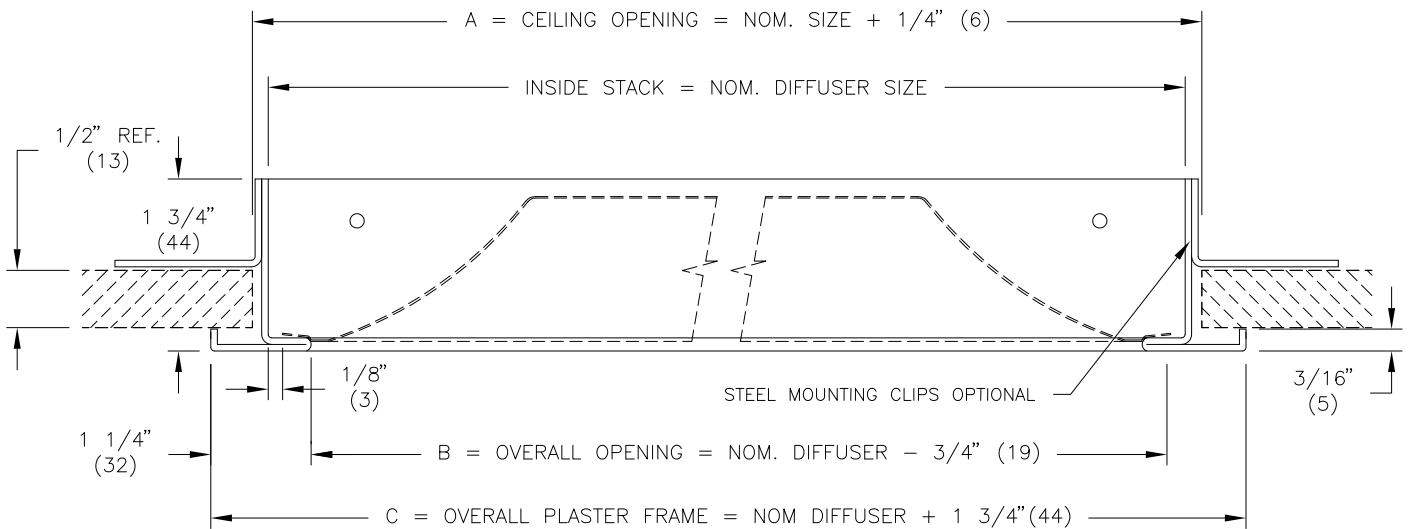


SPF - STEEL PLASTER FRAME



TYPICAL CROSS SECTION OF LAY-IN TYPE DIFFUSER FRAME FOR DRYWALL APPLICATION

IMPERIAL SIZE			
NOMINAL SIZE	A	B	C
12" X 12"	12 1/4" X 12 1/4"	11 1/4" X 11 1/4"	13 3/4" X 13 3/4"
14" X 14"	14 1/4" X 14 1/4"	15 1/4" X 15 1/4"	17 3/4" X 17 3/4"
15" X 15"	15 1/4" X 15 1/4"	14 1/4" X 14 1/4"	16 3/4" X 16 3/4"
16" X 16"	16 1/4" X 16 1/4"	15 1/4" X 15 1/4"	17 3/4" X 17 3/4"
18" X 18"	18 1/4" X 18 1/4"	17 1/4" X 17 1/4"	19 3/4" X 19 3/4"
20" X 20"	20 1/4" X 20 1/4"	19 1/4" X 19 1/4"	21 3/4" X 21 3/4"
24" X 12"	24 1/4" X 12 1/4"	23 1/4" X 11 1/4"	25 3/4" X 13 3/4"
24" X 24"	24 1/4" X 24 1/4"	23 1/4" X 23 1/4"	25 3/4" X 25 3/4"
48" X 24"	48 1/4" X 24 1/4"	47 1/4" X 23 1/4"	49 3/4" X 25 3/4"

MATERIAL:

- HEAVY GAUGE STEEL

FINISH:

- B12 WHITE (OPTIONAL FINISHES AVAILABLE)

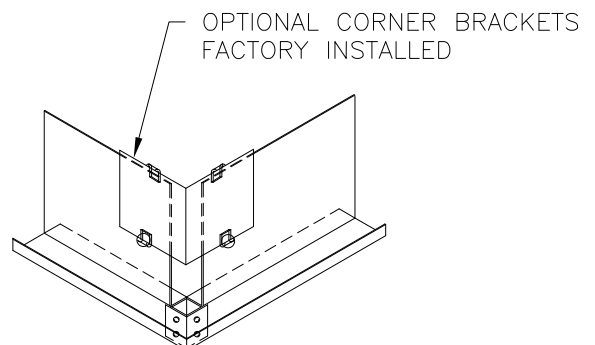
NOTES:

- FACTORY TOLERANCE - $\pm 1/32"$ ($\pm 1\text{mm}$)

OPTIONS:

- MC-MOUNTING CLIPS
- CB-CORNER BRACKETS

METRIC SIZE			
NOMINAL SIZE	A	B	C
300 X 300	306 X 306	281 X 281	344 X 344
500 X 500	506 X 506	481 X 481	544 X 544
600 X 600	606 X 606	581 X 581	644 X 644



ALL METRIC DIMENSIONS () ARE SOFT CONVERTED. IMPERIAL DIMENSIONS ARE CONVERTED TO METRIC AND ROUNDED TO THE NEAREST MILLIMETER.

PROJECT:		PRICE [®]	
ENGINEER:		<i>MG</i>	SPF
CUSTOMER:			
SUBMITTAL DATE:		228211	STEEL LAY-IN TYPE PLASTER FRAME
SPEC. SYMBOL:		2015/04/02	